

Cooker hob KS

Gas hobs

Code: 7610 032



DETAILS

Edge/Installation Type Standard (8 mm Edge)

Finish Foster brushed

Material AISI 304 stainless steel

Texture Brushed in line

Supply 220 - 240 V; 50/60 Hz

Dimensions 790 x 500 mm

Base size 80 cm

Heating element Five burners

Built-in hole 750 x 480 mm

Grids Cast iron grids and enamelled burner covers

Width 79 cm

Total power 10.150 W

Auxiliary 1.100 W

Semirapid 3x1.750 W

Triple crown 3.800 W

Safety Safety valve with quick-acting thermocouple

Ignition Electric ignition under knob

Gas type Tested for installation with natural gas, LPG nozzle set included.

Type Gas Hob

FEATURES

Cast iron grids Cast-iron is the ideal material for an hob grid, this due to the manifold properties characterising it: high heat capacity that improves cooking performance; high weight and stability that improve safety; sturdiness that preserves the hob's original aspect over time; easy cleaning.

III ^ series burners III ^ series burners: 20% gas savings. They guarantee an efficiency well above the European standards. Furthermore, the improved combustion of gas allows the development of higher powers. From the point of view of safety, the blocking system between the cover and the flame-spreader guarantees perfect positioning and greater ease of cleaning.

Inclined recess

A deep and inclined recess houses the burners and grigs, allowing to create a single work surface. The inclination also makes it extremely easy to clean the edges.

In-line burners

It is the most natural, safe and functional burner arrangement. A single line of fires all accessible without any hindrance. A classic from the Foster Collections.

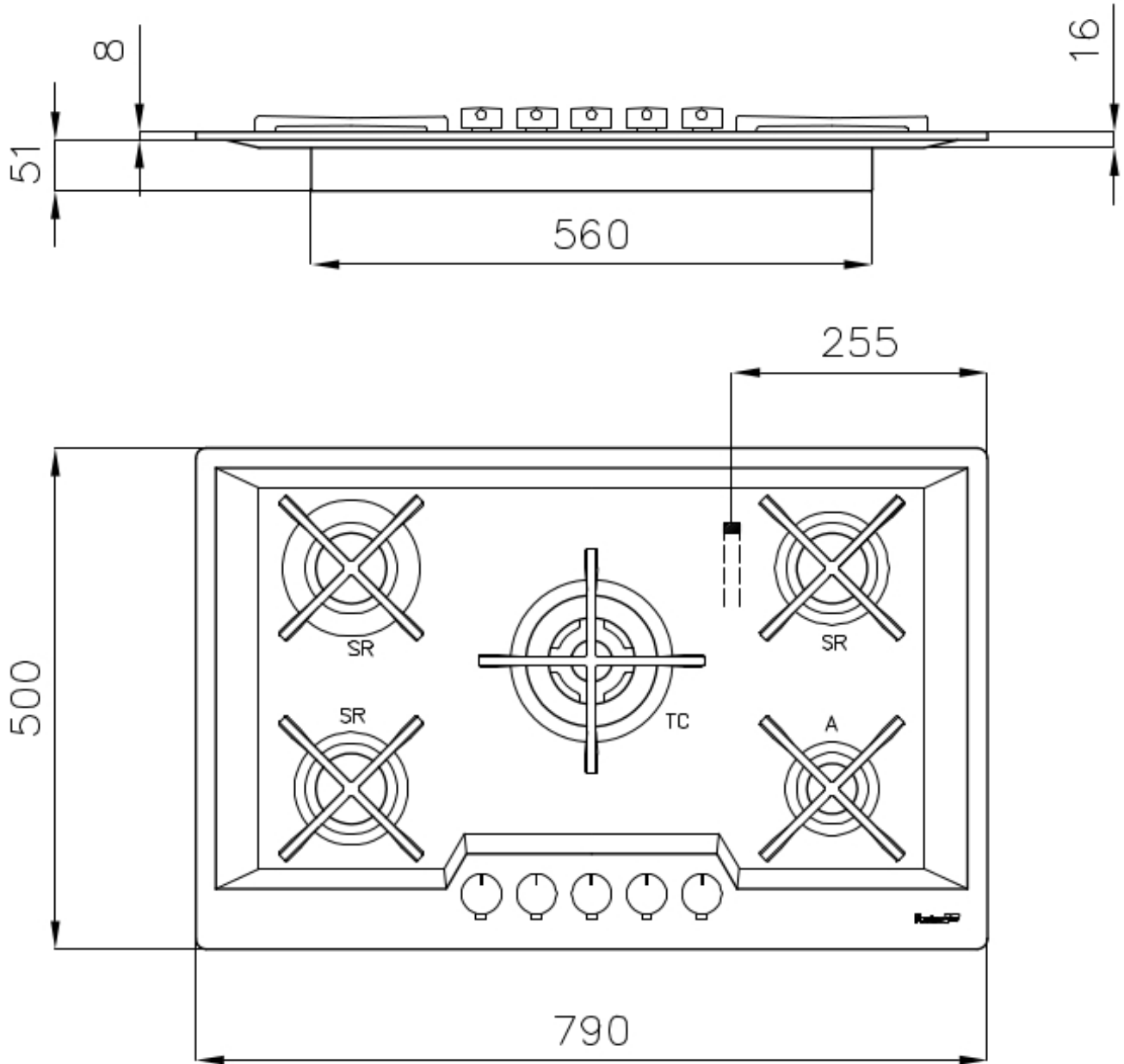
Safe cooking

All Foster cooker hobs are equipped with safety valves. They shut off the gas supply very quickly if the flame accidentally goes out.

Under-knob ignition

The utmost freedom of movement with electronic under-knob ignition, a common feature of all models that allows a one-hand ignition of the burner.

TECHNICAL DATA



GALLERY



OPTIONAL ACCESSORIES



Cast iron wok support
9601 727